



La 2^e vie des équipements électriques

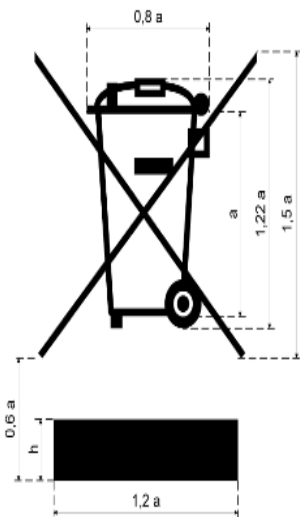
Factsheet “EEE Marking”

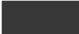


All EEE placed on the French market after August 13th 2005 must bear:

□ a marking:

- Identifying its producer:
Brand name, trademark, number at the Trade and Companies Register, etc.
- Specifying that the EEE has been placed on the French market after August 13th 2005:
 - The producer can specify either the date of manufacture / market release in un-coded text or other coded text, for which the code must be made available for treatment facilities.



- The black bar  under the crossed-out wheeled bin symbol is an additional marking meaning that the EEE has been placed on the market after August 13th 2005.

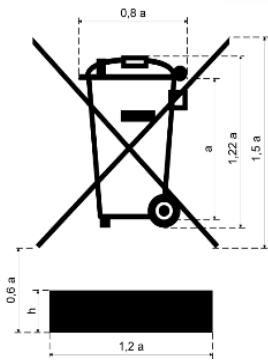
The standard NF EN 50419 gives further information on the dimensions of the marking.

N.B.: Directive EU 2012/19 (article 14-4) stipulates: “Member States shall ensure that producers appropriately mark – preferably in accordance with the European standard EN 50419.”

Companies can purchase this standard on the online shop of the French Standardization Association (AFNOR) if they wish:
<http://www.boutique.afnor.org/normes?codeaff=1>



The household EEE placed on the French market after August 13th 2005 must bear the crossed-out wheeled bin symbol:



This symbol indicates that the product cannot be discarded with unsorted municipal waste. The implemented waste scheme must be followed.

The producer can refer to the standard NF EN 50419 (see above).

If affixing this symbol on the EEE turns out to be impossible due to its small size or its functionality, it must be printed on the package of the product, the instructions, and its warranty leaflet.

The markings shall be accessible, durable, legible, and indelible.

Producers can test the durability of the marking by rubbing by hand for 15 seconds with a piece of cloth soaked with water and again for 15 seconds with a piece of cloth soaked with petrol. (Cf: standard EN NF 50419)



Ecologic is a member of:



Ecologic France - 15 avenue du Centre, 78280 Guyancourt

Tel.: +33 (0)1 30 57 79 09 - Email: contact@ecologic-france.com

www.ecologic-france.com